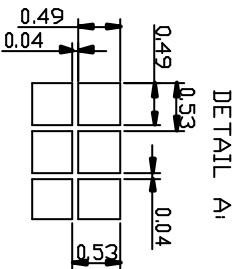


1	2	3	4	5	6	7	8	9	10	11	12	13	14	15	16	17	18	19	20
FG	VSS	VCC	V0	/VR	/RD	/CE	C/D	NC	/RST	DB0	DB1	DB2	DB3	DB4	DB5	DB6	DB7	FS	NC

- Notes:
1. Display type: STN mode
 2. Viewing Direction: 0/90/180
 3. Polarizer Mode: Transflective / Positive
 4. Operation Temp: -20---+70
 5. Storage Temp: -30---+80
 6. Controller: T6963CJ
 7. LCD Drive Method: Duty=1/64, Bias=1/9,
 8. Back Light: LED Yellow Green.
 9. Bezel is Painted as Black.

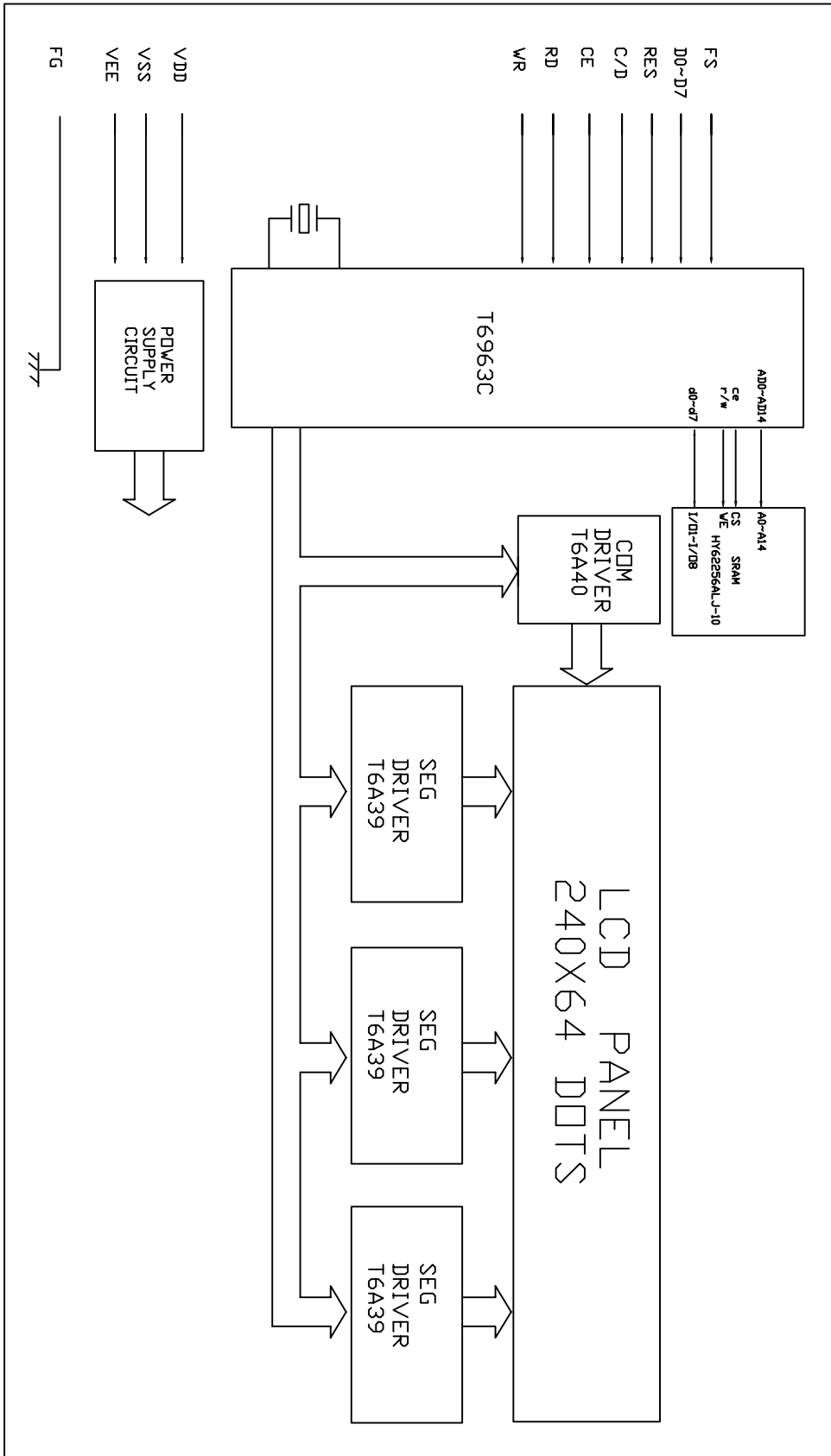


digital vision

Part #: DG24064A

SIZE	FORM NO	DWG NO.	REV
SCALE			SHEET

Circuit Block Diagram



Electrical characteristics

Item	Symbol	Min.	Typ.	Max.	Unit
Supply Voltage (Logic)	$V_{DD}-V_{SS}$	4.75	5.0	5.25	V
Supply Voltage (LCD Drive)	V_{LCD}	-	11.0	-	V
Input Signal Voltage	High V_{IH} ($V_{DD}=5.0$)	$0.8V_{DD}$	-	$V_{DD}+0.3$	V
	Low V_{IL} ($V_{DD}=5.0$)	0	-	$0.2V_{DD}$	V
Supply current (Logic)	I_{DD} ($V_{DD}-V_{SS}=5.0V$)	-	13.5	-	mA
Supply current (LCD Drive)	I_{EE}	-	2.0	-	mA
Supply current (EL)	I_{EL}	-	-	10.0	mA