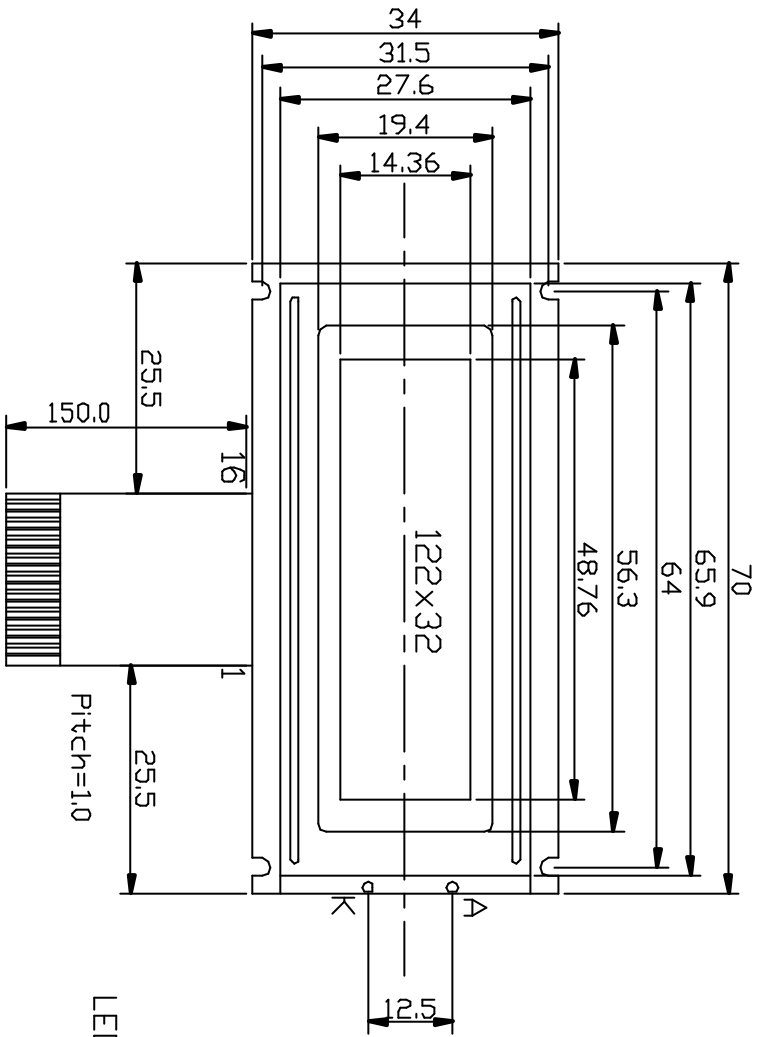
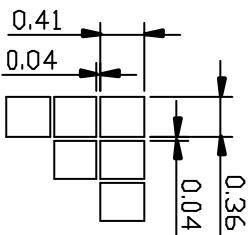
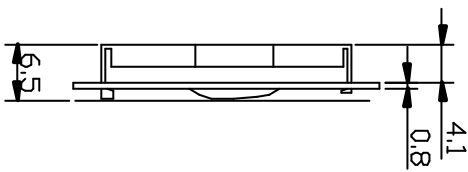


PIN NO.	1	2	3	4	5	6	7	8-15	16
SIGNAL	V _{led}	V _{sp}	V _d	V ₀	A ₀	E ₁	E ₂	DB0-DB7	R _v

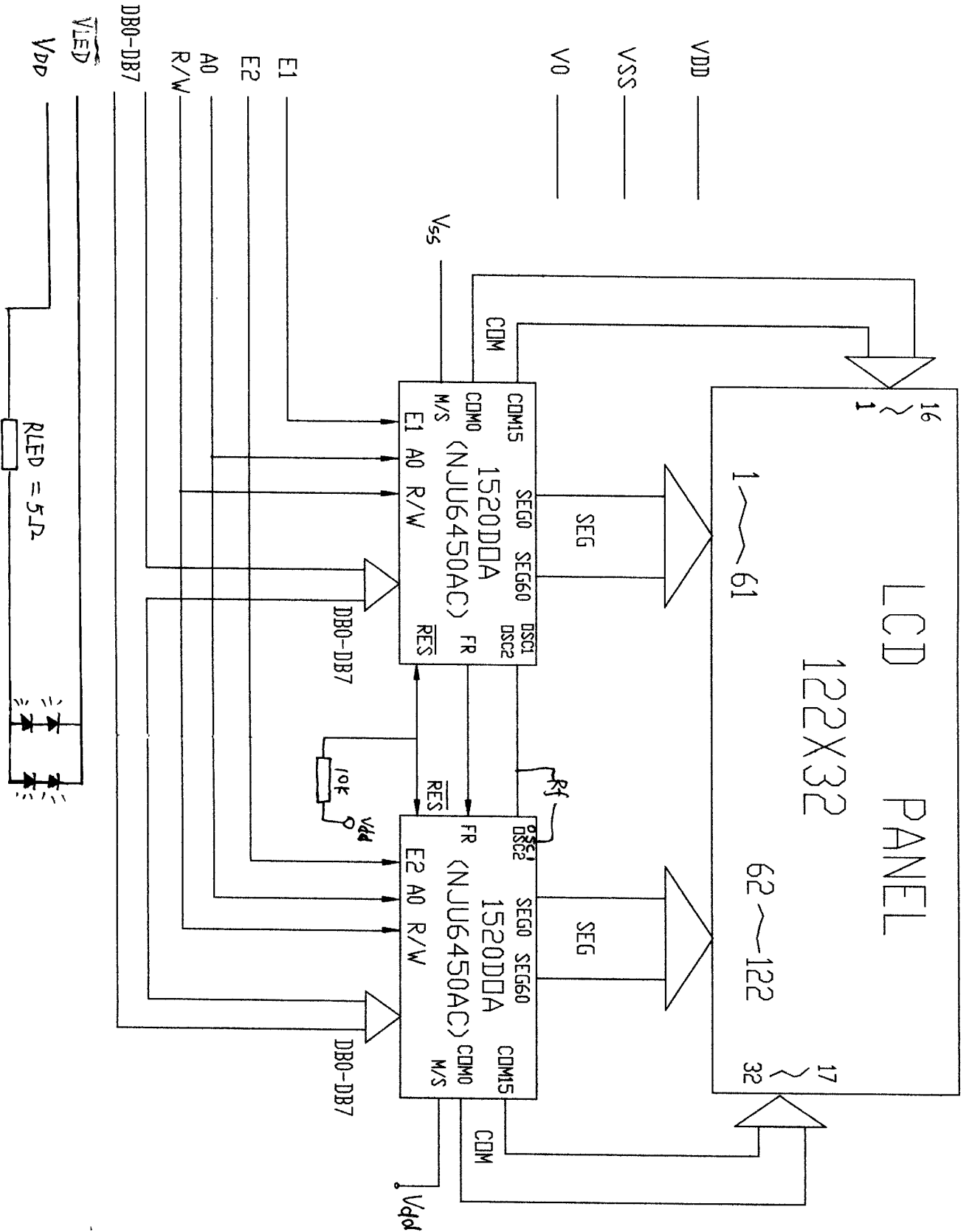


LED side type B/L.



digital vision			
Part #:		DG12232F	
SIZE	FORM NO.	DWG. NO.	REV.
SCALE			SHEET

Circuit Block Diagram



Electrical Specifications

Item	Symbol	Min.	Typ.	Max.	Unit	
Supply Voltage (Logic)	$V_{DD}-V_{SS}$	4.5	5.0	5.5	V	
Supply Voltage (LCD Drive)	V_{LCD}	3.0	5.5	11.0	V	
Input Signal Voltage	High	V_{IH} ($V_{DD}=5.0$)	0.7 V_{DD}	-	$V_{DD}+0.3$	V
	Low	V_{IL} ($V_{DD}=5.0$)	-0.3	-	0.2 V_{DD}	V
Supply current (Logic)	I_{DD} ($V_{DD}-V_{SS} = 5.0$)	-	-	6.0	mA	
Supply current (LCD Drive)	I_{EE}	-	-	1.0	mA	