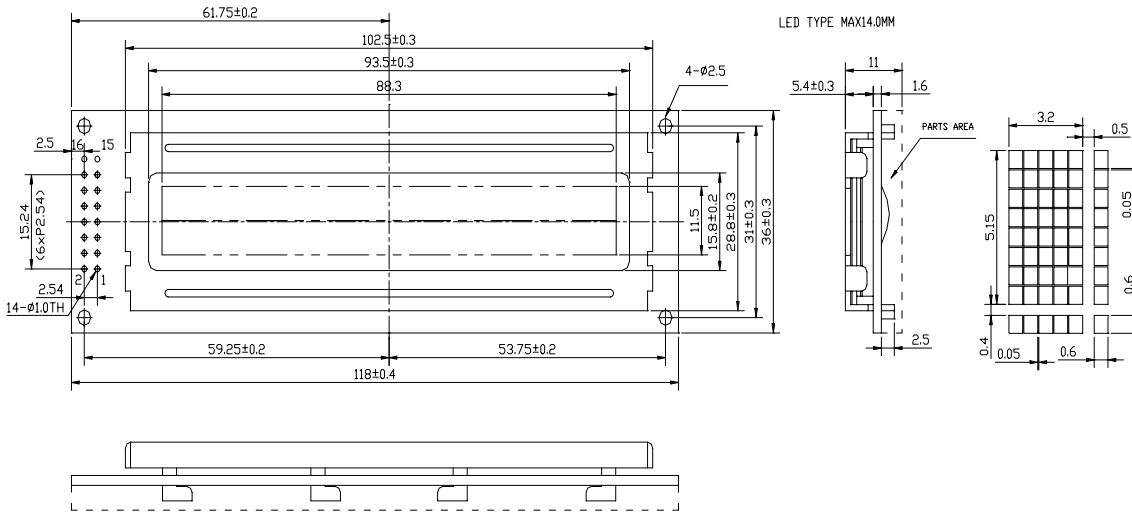


DC2402A

24CH x 2 Lines
1/16Duty, 1/5Bias

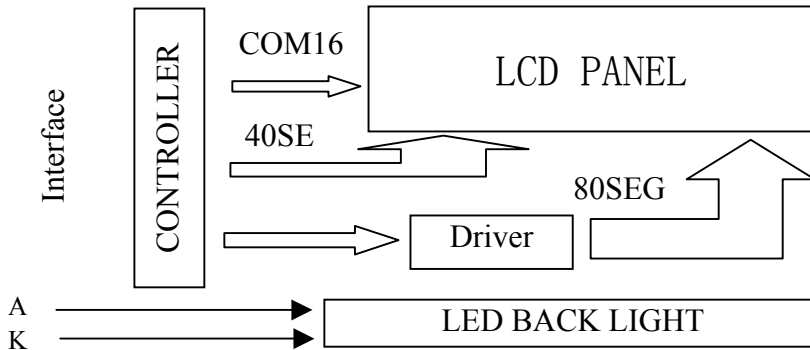
1. External Dimension



2. Pin Table

| | | | | | | | | | | | | | | | |
|-----------------|-----------------|----------------|----|-----|---|-----|-----|-----|-----|-----|-----|-----|-----|------|------|
| 1 | 2 | 3 | 4 | 5 | 6 | 7 | 8 | 9 | 10 | 11 | 12 | 13 | 14 | 15 | 16 |
| V _{SS} | V _{DD} | V _O | RS | R/W | E | DB0 | DB1 | DB2 | DB3 | DB4 | DB5 | DB6 | DB7 | LED+ | LED- |

3. Block Diagram



4. Electrical Characteristics (Ta=25°C, Vdd=5.0V±0.25V)

| Item | Symbol | Test Condition | Min. | Typ. | Max. | Unit |
|---------------------------|---------------------------------|-------------------------|------|------|-----------------|------|
| Input High Voltage | V _{ih} | - | 2.2 | | V _{DD} | V |
| Input Low Voltage | V _{il} | - | -0.3 | | 0.6 | V |
| Output High Voltage | V _{oh} | -I _{OH} =0.2mA | 2.4 | | | V |
| Output Low Voltage | V _{ol} | I _{OL} =1.2mA | | | 0.4 | V |
| Supply Current | I _{DD} | V _{DD} =5.0V | | 2 | 3 | mA |
| Operating Voltage for LCD | V _{DD} -V _O | STN | | 4.7 | | V |
| | | TN | | - | | V |